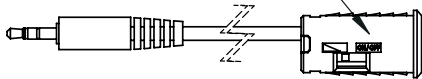


1 Select operating mode

Set dimmer switch:

ON/OFF

- Briefly press ON / OFF
- Press for longer - dim

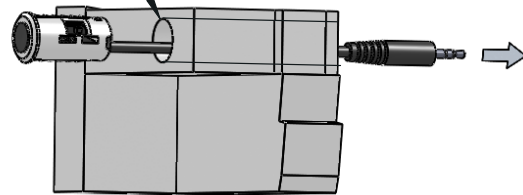


Attention :

If there are 2-3 switches,
they must all be in the same operating mode!

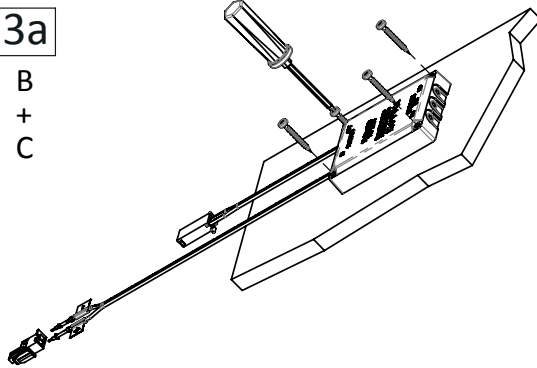
2

13mm hole



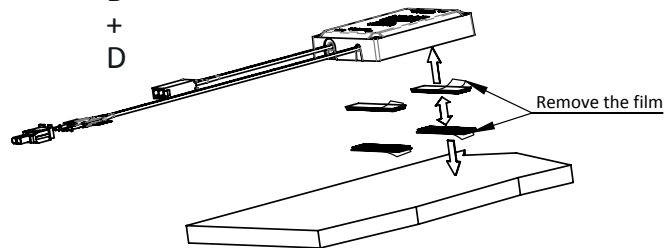
3a

B
+
C

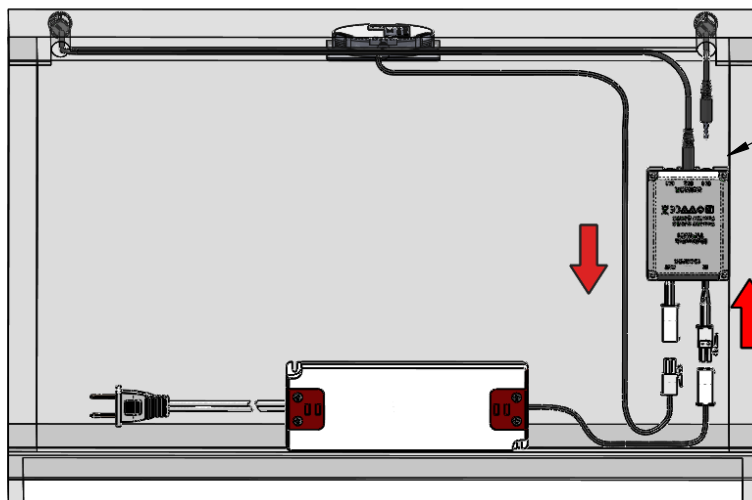


3b

B
+
D



SUMMARY



max. 3x
A in B

Max. 12VDC input
36W max. load